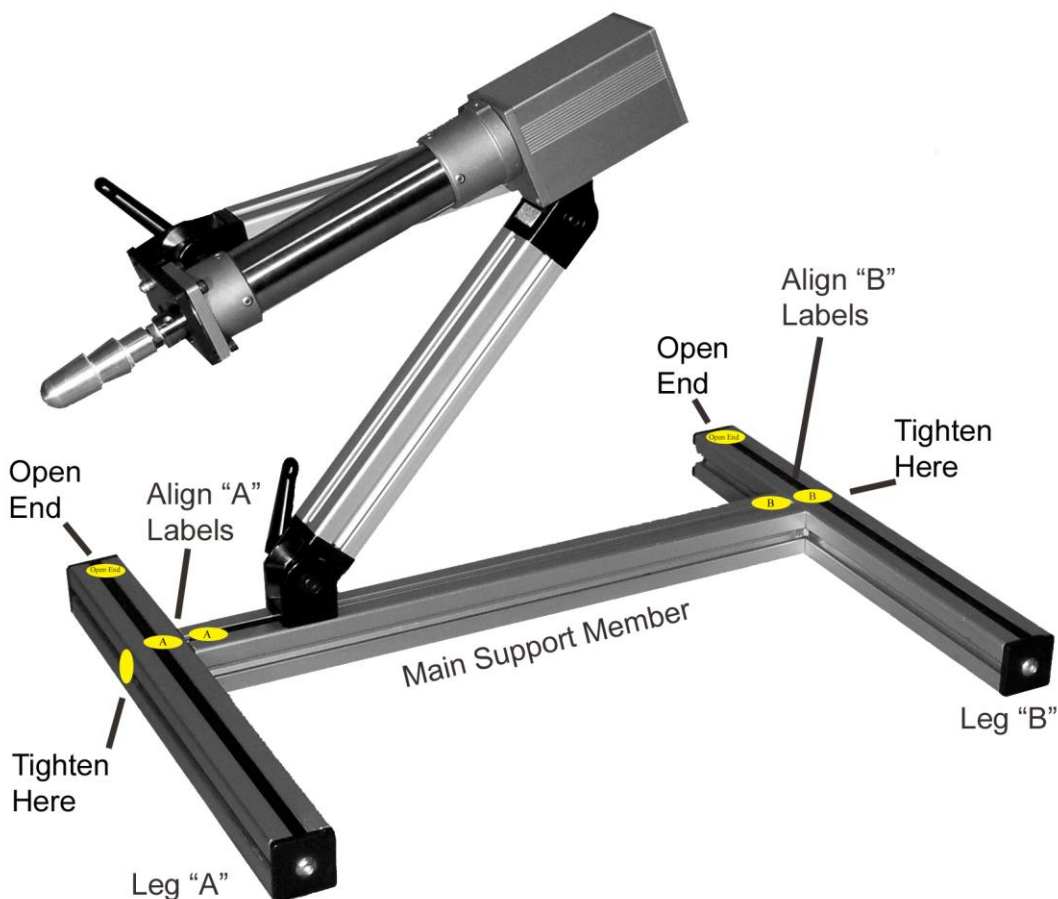


3.0 Shockspot Assembly

The Shockspot machine is shipped with the legs detached for portability and to reduce the package size. The system was designed to allow the legs to be attached and removed in less than a minute. There are three main components to the machine frame, two legs and the main support member. There are two legs with removable labels, one marked "A", the other marked "B". The legs also have labels marked "Open End" and "Tighten Here". The main support member has labels marked "A" on one end and "B" on the other. The letters on each end of the main support column indicate which leg should be attached to each end. To assemble the machine, place the main support member on a table or floor with the labels marked "A" and "B" facing upward. On each end of the main support member there is a quick fastening clip and a screw. **DO NOT REMOVE THE SCREW!** (the legs are designed to slide onto the fastening clip). Locate the leg marked with the "A" label and locate the end of the leg marked "Open End". The end of the leg marked "Open End" has an opening which will slide over the fastening clip on the main support member.



To mount the legs:

- a) Hold the leg marked "A" in one hand with the rubber feet facing downward.
- b) Locate the opening in the end of the leg marked "open End".

- c) Slide the end of the leg marked "Open End" onto the fastening clip on the end of the main support member marked "A". If the leg does not slide onto the fastening clip, slightly loosen the screw holding the fastening clip to the end of the main support member.
- d) Align the label "A" on the leg with the label "A" on the main support member. Ensure the hole on the leg marked "Tighten Here" is aligned with the screw (on the fastening clip) on the end of the main support member. Insert the t-handled wrench through the hole labeled "Tighten Here" and firmly tighten the leg to the main support member.
- e) Repeat the above steps for the leg marked "B".
- f) Ensure the Shockspot is squarely seated on the floor or table. All four feet should be in contact with the surface. If the legs need adjustment, slightly loosen the legs, push to the leg against the surface and tighten the legs. The design allows the legs to be adjusted slightly for uneven surfaces.
- g) To adjust the position of the cylinder, place the Shockspot on a firm surface and ensure all four rubber feet are in contact with the surface. **Important!! Never allow your hands or any other body part to move between any two frame components. In the event the hinge is not tight or the frame component is not supported properly, fingers, hands or body parts could get pinched between the frame members.** Loosen the hinge handle while holding the segment you which to adjust. Move the segment into the desired position and firmly tighten the hinge handle. Apply pressure to the segment to ensure it is rigidly holding position. Never use a tool or any other device to tighten the hinge. Never disassemble the hinge as holding performance may be affected. Adjust one segment at a time. The Shockspot can be adjusted to simulate any desired position.
- h) Labels can be removed after installation.